

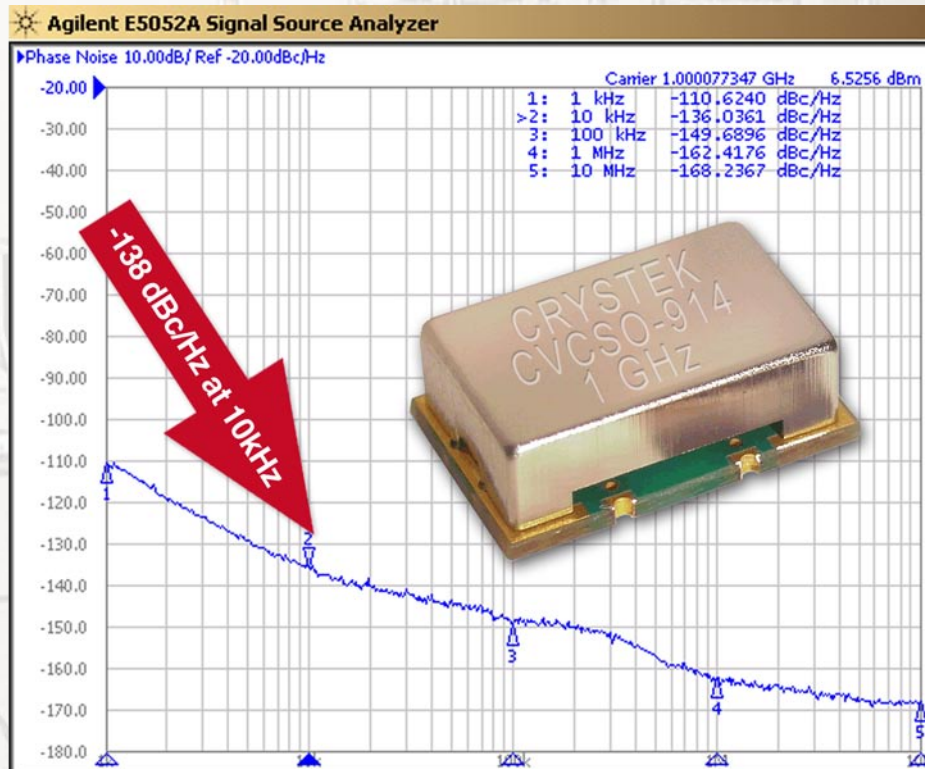


CRYSTEK
CRYSTALS
A DIVISION OF CRYSTEK CORPORATION

CVCSO-914-1000
TRUE SINEWAVE
SAW BASED VCSO
9X14MM SMD
5 VOLT



Ultra-Low Phase Noise 1GHz SAW VCSO



Model CVCSO-914-1000 is a 1GHz voltage-controlled SAW (surface acoustic wave) oscillator (VCSO). SAW crystal technology provides low-noise and low-jitter performance with true sinewave output. Features include -135dBc/Hz phase noise at 10kHz offset, 5V input voltage, -20 to +70C operating temperature, and 9x14 mm SMT package. The oscillator has no sub-harmonic and the second harmonic is typically -20dBc.

Applications include PLL frequency translation, test and measurement, avionics, point-to-point radios, and multi-point radios.



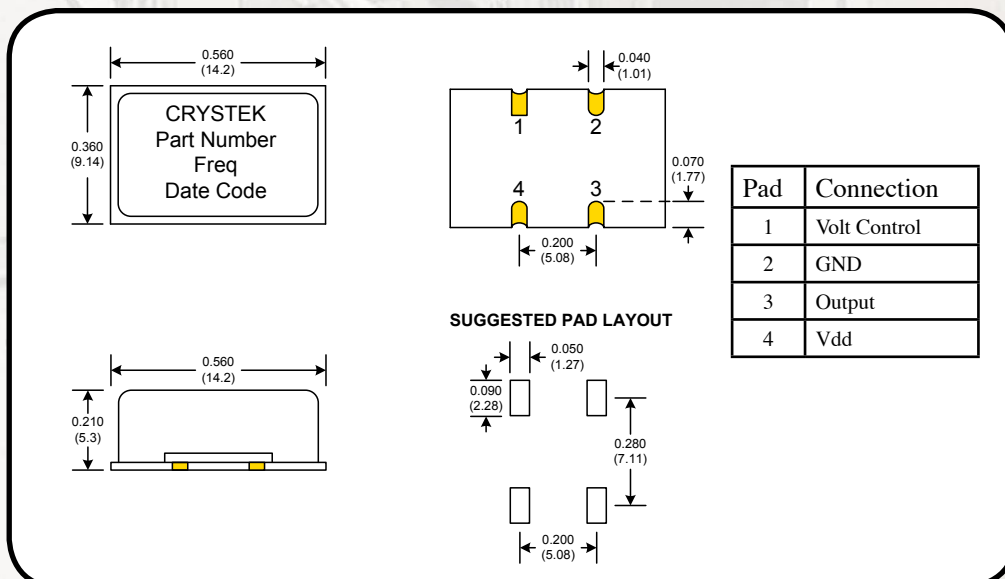
CRYSTEK
CRYSTALS
A DIVISION OF CRYSTEK CORPORATION

CVCSO-914-1000
TRUE SINEWAVE
SAW BASED VCSO
9X14MM SMD
5 VOLT



Frequency : 1 GHz
Temperature Range: -20°C to 70°C
Storage: -40°C to 90°C
Input Voltage: 5V ± 0.25V
Control Voltage: 2.5V ± 2.5V
Settability At Nominal (25°C): 1.5V ± 0.5V
Freq. vs Temp. ±200ppm Typ.
Input Current: 25mA Typ., 35mA Max

Output: True SineWave
Pullability APR: ±50ppm Min.
Linearity: ±20% Max
Output Power: +10dBm Min. into 50 Ohm Load
Start-up time: 2ms Typ., 10ms Max
2nd Harmonic: -20dBc Typ., -15dBc Max
Sub-harmonics: None
Modulation BW: >20KHz @ -3dB
Phase Jitter: 12KHz~80MHz <1ps RMS (1-sigma) Max



CRYSTEK
CORPORATION

12730 COMMONWEALTH DRIVE • FORT MYERS, FL 33913

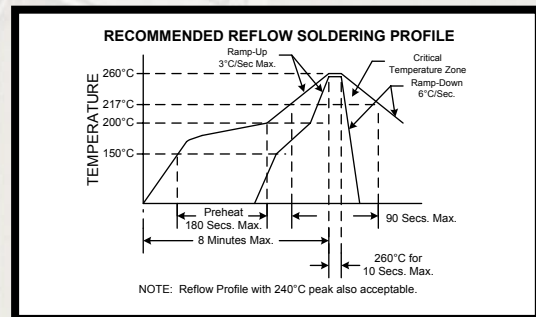
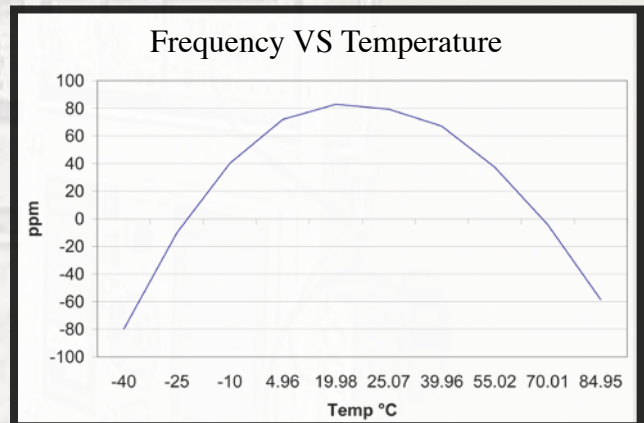
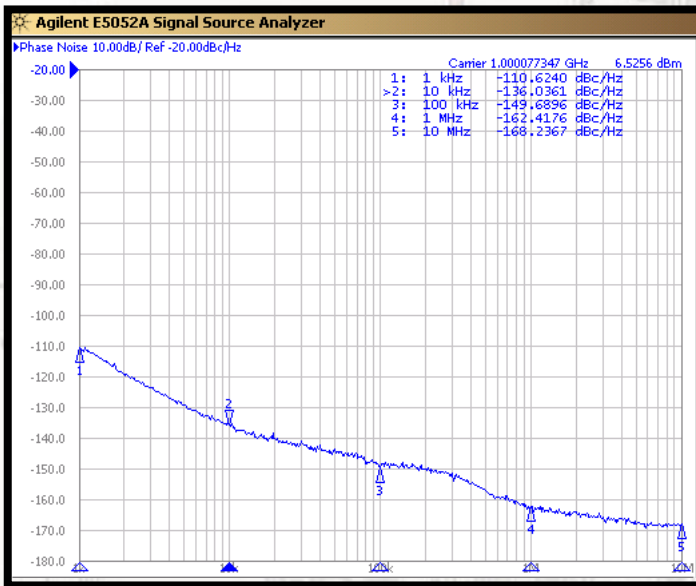
PHONE: 239-561-3311 • 800-237-3061 Rev.: B

FAX: 239-561-1025 • WWW.CRYSTEK.COM Date: 12-12-05



CRYSTEK
CRYSTALS
A DIVISION OF CRYSTEK CORPORATION

CVCSO-914-1000
TRUE SINEWAVE
SAW BASED VCSO
9X14MM SMD
5 VOLT



Parameter	Conditions
Mechanical Shock	MIL-STD-883, Method 2002, Condition B
Mechanical Vibration	MIL-STD-883, Method 2007, Condition A
Solderability	MIL-STD-883, Method 2003
Solvent Resistance	MIL-STD-202, Method 215
Resistance to Soldering Heat	MIL-STD-202, Method 210, Condition I or J
Thermal Shock	MIL-STD-883, Method 1011, Condition A
Moisture Resistance	MIL-STD-883, Method 1004



CRYSTEK
CORPORATION

12730 COMMONWEALTH DRIVE • FORT MYERS, FL 33913

PHONE: 239-561-3311 • 800-237-3061

FAX: 239-561-1025 • WWW.CRYSTEK.COM

Rev.: B
Date: 12-12-05